

Features / Application

- Air operated • Safe transfer of inflammable • Ease of installation & use • Carbon steel & stainless steel models available • Great Flow • Fluid Transfer • Supply of low viscous adhesive • Finishing pump supply

Fluids Handled

- Low to high viscosity of resin, ink, coating, adhesive
- General chemicals / inflammable • Thinners & solvents
- Anti-freeze / refrigerants / windshield washer
- Light / Transmission / Hydraulic Fluid & Oil

Specifications

Operating Pressure : 2 ~ 8 kg/cm² (40 ~ 180 PSI)

Maximum fluid working pressure : 8 kg/cm² (180 PSI)

Pump Speed : 250 CPM

Flow : 19 l / min

Maximum operating Temperature : 49°C (120°F)

Motor Diameter : 2"

Air let : 1/4 PT (f)

Fluid Inlet : 1 1/2 PT

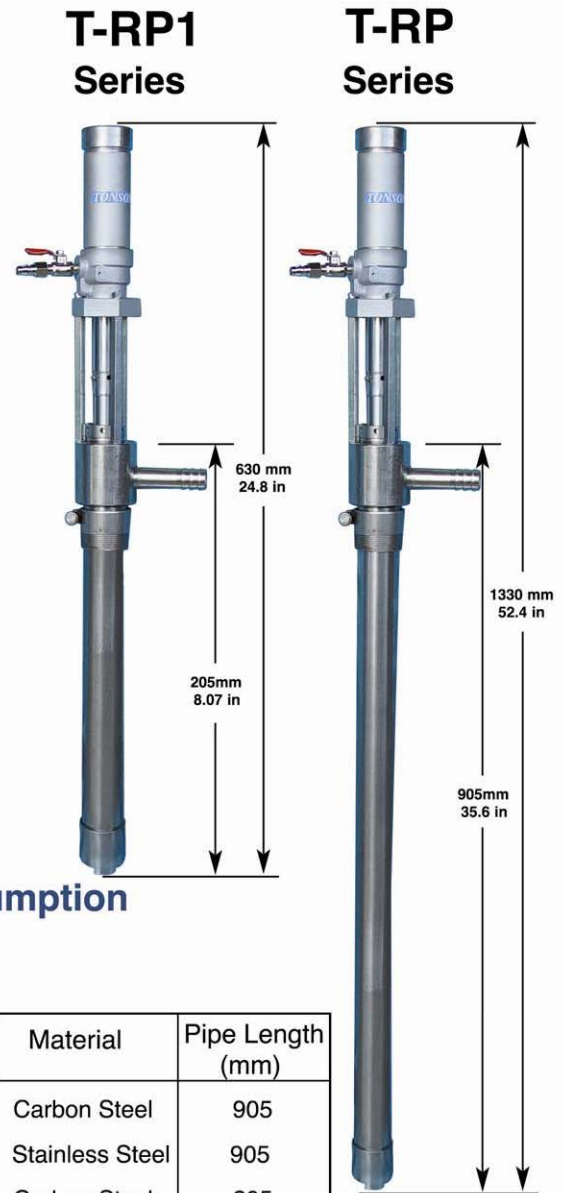
Fluid Outlet : 3/4 PT

Elevation : 80 m

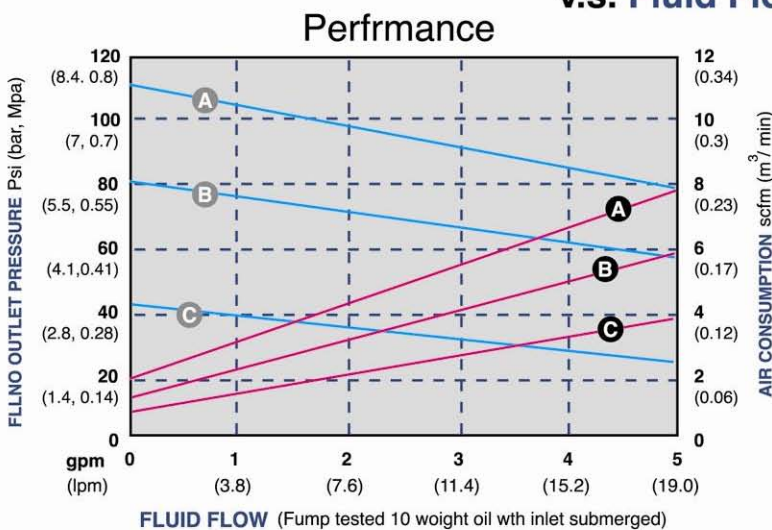
Applicable Viscosity : 600 CPS

T-RP : 8 KG

T-RP1 : 5.5KG



Fluid Outlet Pressure / Air Consumption v.s. Fluid Flow



Model	Material	Pipe Length (mm)
T-RP-CS	Carbon Steel	905
T-RP-SS	Stainless Steel	905
T-RP1-CS	Carbon Steel	205
T-RP1-SS	Stainless Steel	205

AIR PRESSURES	LEGEND
(A) =at 120 psi(8 bar, 0.8 Mpa)	Air Consumption —
(B) =at 100 psi(7 bar, 0.7 Mpa)	Fluid Flow —
(C) =at 70 psi(4.8 bar, 0.48 Mpa)	